



DC BRUSHLESS FAN

for Servers and Data Centers

GlacialTech®

洋鑫科技股份有限公司 **GlacialTech Inc.**

地址：新北市中和區235中山路二段352號7樓
7F, No. 352, Sec. 2, Zhongshan Rd., Zhonghe Dist.,
New Taipei City, Taiwan, 235

Tel: +886 2 2244-1227 Fax: +886 2 2244-1228
Email: sales@GlacialTech.com



www.GlacialTech.com



facebook



GT JET 4028 Booster Fan

Key Features:

- Impeller with leading-edge chamfer design: Improves fan efficiency, reduces noise and vibration.
- Integrated Stator Blade Frame: Optimizes airflow direction and corrects vortex patterns, significantly reducing turbulence and energy loss.
- Dual ball bearing construction: Engineered for high-temperature, high-speed, and long-duration reliability.
- The copper tube enhances heat dissipation and shaft stability, improving fan durability and cooling efficiency.
- Supports intelligent speed control (PWM) and fault feedback (option).
- The circuit design already includes hot-swap functionality.

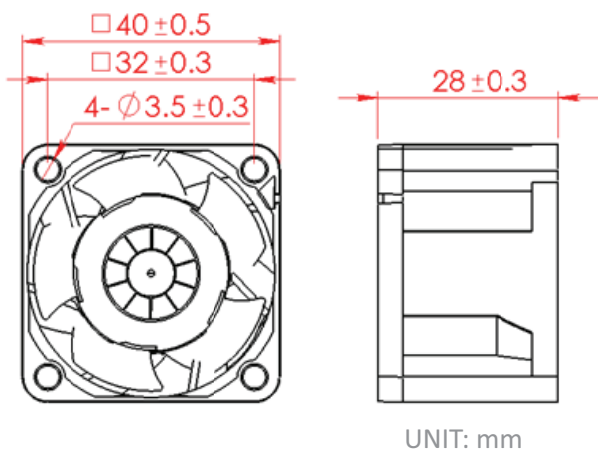


Specifications:

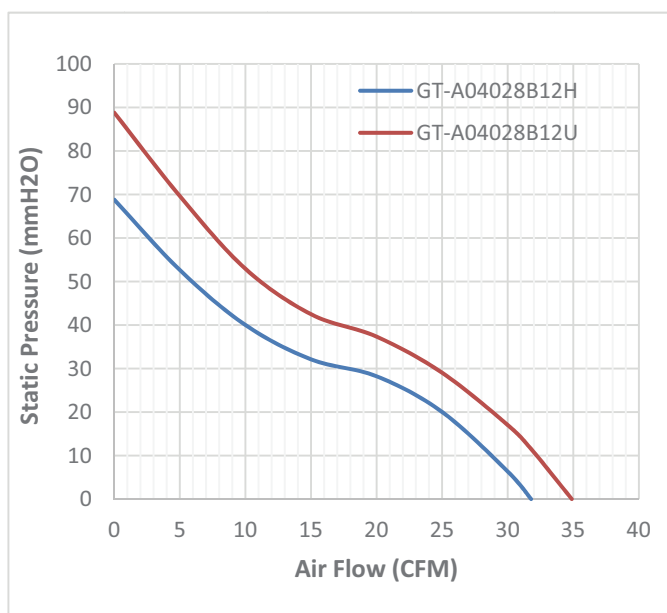
Model (TYPE A)	Rated Voltage (VDC)	Rated Current (A)	Power Consumption (Watts)	Speed (rpm)	Air Flow (CFM)	Static Pressure (mmH2O)	Noise (dBA)
GT-A04028B12H	12	0.95	11.40	22,000	31.78	68.80	57.2
GT-A04028B12U	12	1.43	17.16	25,300	34.88	88.78	65.5

1. Material : Plastic PBT (UL : 94V-0) ;
2. Bearing Type : Two ball bearing
3. Protection : Auto-Restart
4. Operating Temperature : -20 ~ 70 °C
5. Weight : 46 gram (ref.)

Dimension:



P-Q Curve:





GT JET 4056 Dual Counter-Rotating Fan

Key Features:



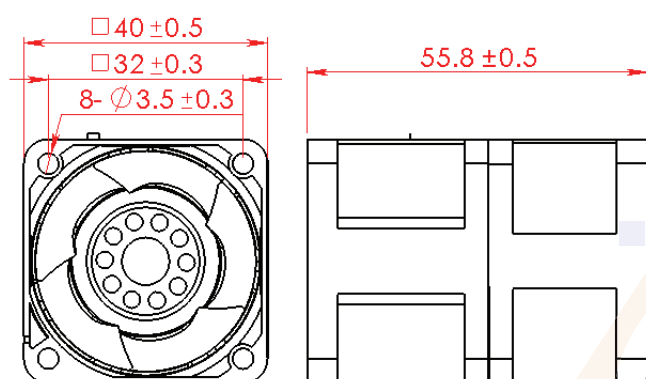
- Dual counter-rotating fan design: Enhances airflow concentration and penetration for superior cooling performance.
- Impeller with leading-edge chamfer design: Improves fan efficiency, reduces noise and vibration.
- Dual ball bearing construction: Engineered for high-temperature, high-speed, and long-duration reliability.
- The copper tube enhances heat dissipation and shaft stability, improving fan durability and cooling efficiency.
- Supports intelligent speed control (PWM) and fault feedback (option).
- The circuit design already includes hot-swap functionality.

Specifications:

Model (TYPE A)	Rated Voltage (VDC)	Rated Current (A)	Power Consumption (Watts)	Speed Inlet/outlet (rpm)	Air Flow (CFM)	Static Pressure (mmH2O)	Noise (dBA)
GT-R04056B12H(I)	12	2.51	30.12	26,700/25,100	33.17	145.10	72.8
GT-R04056B12H(II)	12	2.00	24.00	26,000/23,700	32.81	137.60	71.1

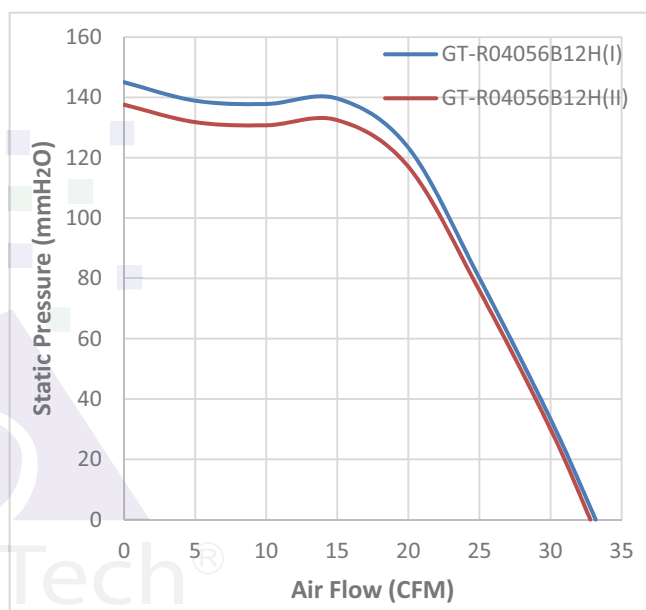
1. Material : Plastic PBT (UL : 94V-0) ;
2. Bearing Type : Two ball bearing
3. Protection : Auto-Restart
4. Operating Temperature : -20 ~ 70 °C
5. Weight : 160 gram (ref.)

Dimension:



UNIT: mm

P-Q Curve:





GT JET 6038 Booster Fan

Key Features:



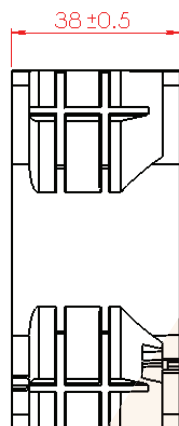
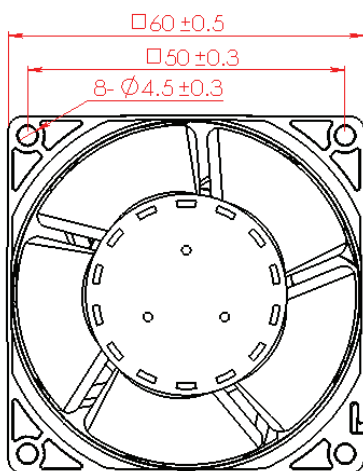
- Integrated Stator Blade Frame: Optimizes airflow direction and corrects vortex patterns, significantly reducing turbulence and energy loss.
- Dual ball bearing construction: Engineered for high-temperature, high-speed, and long-duration reliability.
- The copper tube enhances heat dissipation and shaft stability, improving fan durability and cooling efficiency.
- Supports intelligent speed control (PWM) and fault feedback (option).
- The circuit design already includes hot-swap functionality.

Specifications:

Model (TYPE A)	Rated Voltage (VDC)	Rated Current (A)	Power Consumption (Watts)	Speed (rpm)	Air Flow (CFM)	Static Pressure (mmH2O)	Noise (dBA)
GT-A06038B12M	12	0.49	5.88	10,000	43.12	30.91	51.7
GT-A06038B12H	12	1.34	16.08	14,000	64.25	62.03	59.3

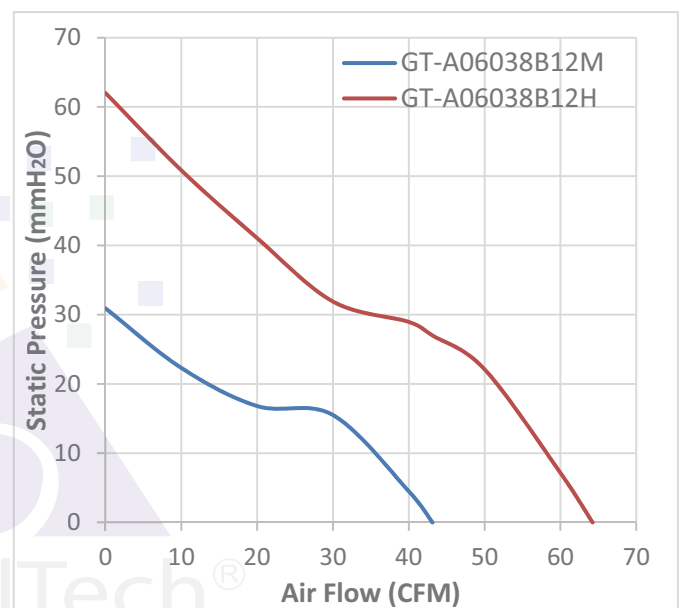
1. Material : Plastic PBT (UL : 94V-0) ;
2. Bearing Type : Two ball bearing
3. Protection : Auto-Restart
4. Operating Temperature : -20 ~ 70 °C

Dimension:



UNIT: mm

P-Q Curve:





GT JET 6056 Dual Counter-Rotating Fan

Key Features:



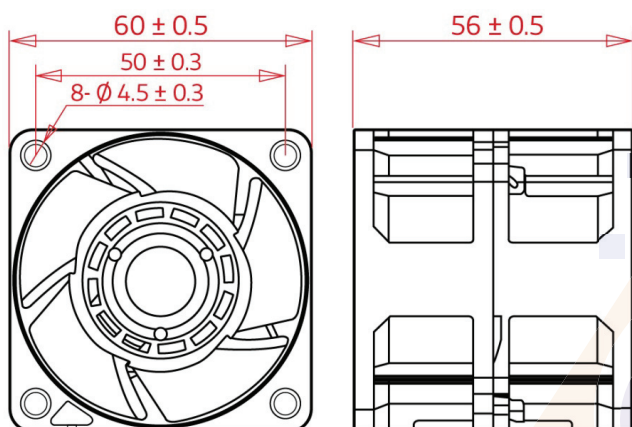
- Dual counter-rotating fan design: Enhances airflow concentration and penetration for superior cooling performance.
- Impeller with leading-edge chamfer and vents design: Improves fan efficiency, reduces noise, vibration, and motor temperature.
- Dual ball bearing construction: Engineered for high-temperature, high-speed, and long-duration reliability.
- The copper tube enhances heat dissipation and shaft stability, improving fan durability and cooling efficiency.
- Supports intelligent speed control (PWM) and fault feedback (option).
- The circuit design already includes hot-swap functionality.

Specifications:

Model (TYPE A)	Rated Voltage (VDC)	Rated Current (A)	Power Consumption (Watts)	Speed Inlet/outlet (rpm)	Air Flow (CFM)	Static Pressure (mmH2O)	Noise (dBA)
GT-R06056B12M	12	1.46	17.52	13,500/11,400	61.24	69.75	68.4
GT-R06056B12H	12	2.45	29.40	16,000/13,700	78.36	106.87	73.7
GT-R06056B12U	12	3.11	37.32	18,000/15,800	84.55	127.12	76.9

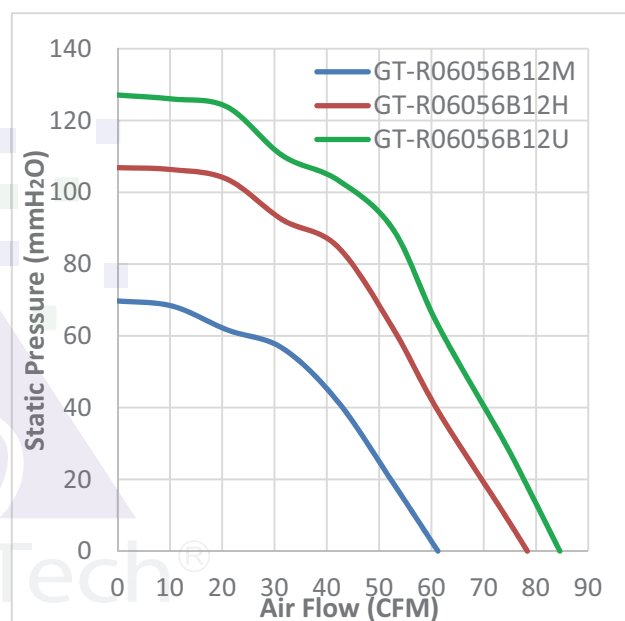
1. Material : Plastic PBT (UL : 94V-0) ;
2. Bearing Type : Two ball bearing
3. Protection : Auto-Restart
4. Operating Temperature : -20 ~ 70 °C
5. Weight : 192 gram (ref.)

Dimension:



UNIT: mm

P-Q Curve:





GT JET 8038 Booster Fan

Key Features:

- Integrated Stator Blade Frame: Optimizes airflow direction and corrects vortex patterns, significantly reducing turbulence and energy loss.
- Impeller with leading-edge chamfer and vents design: Improves fan efficiency, reduces noise, vibration, and motor temperature.
- Dual ball bearing construction: Engineered for high-temperature, high-speed, and long-duration reliability.
- The copper tube enhances heat dissipation and shaft stability, improving fan durability and cooling efficiency.
- Supports intelligent speed control (PWM) and fault feedback (option).
- The circuit design already includes hot-swap functionality.

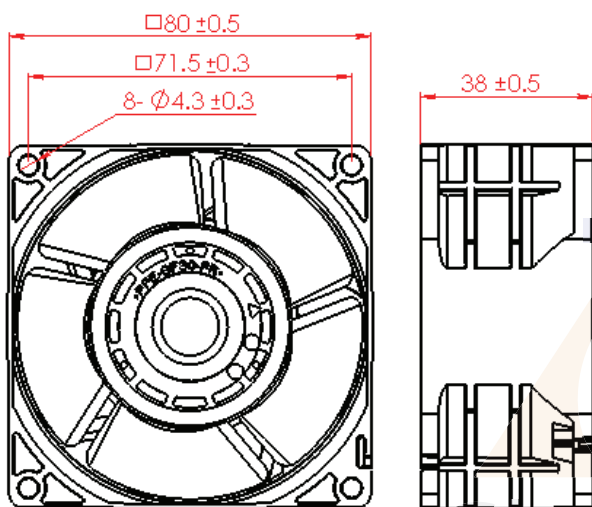


Specifications:

Model (TYPE A)	Rated Voltage (VDC)	Rated Current (A)	Power Consumption (Watts)	Speed (rpm)	Air Flow (CFM)	Static Pressure (mmH2O)	Noise (dBA)
GT-A08038B12M	12	1.46	17.52	12,000	104.54	66.74	64.5
GT-A08038B12H	12	2.63	31.56	14,600	127.19	98.80	72.0

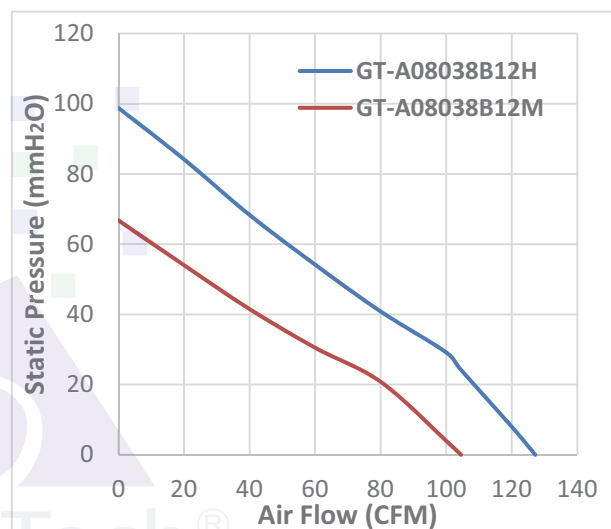
1. Material : Plastic PBT (UL : 94V-0) ;
2. Bearing Type : Two ball bearing
3. Protection : Auto-Restart
4. Operating Temperature : -20 ~ 70 °C
5. Weight : 220 gram (ref.)

Dimension:



UNIT: mm

P-Q Curve:





GT JET 8080 Dual Counter-Rotating Fan

Key Features:

- Dual counter-rotating fan design: Enhances airflow concentration and penetration for superior cooling performance.
- Impeller with leading-edge chamfer and vents design: Improves fan efficiency, reduces noise, vibration, and motor temperature.
- Dual ball bearing construction: Engineered for high-temperature, high-speed, and long-duration reliability.
- The copper tube enhances heat dissipation and shaft stability, improving fan durability and cooling efficiency.
- Supports intelligent speed control (PWM) and fault feedback (option).
- The circuit design already includes hot-swap functionality.



Specifications:

Model (TYPE A)	Rated Voltage (VDC)	Rated Current (A)	Power Consumption (Watts)	Speed Inlet/outlet (rpm)	Air Flow (CFM)	Static Pressure (mmH2O)	Noise (dBA)
GT-A08080B12U	12	5.13	61.56	14,600 / 12,300	149.01	137.9	75.87

Material : Plastic PBT+30% GF (UL : 94V-0) ;

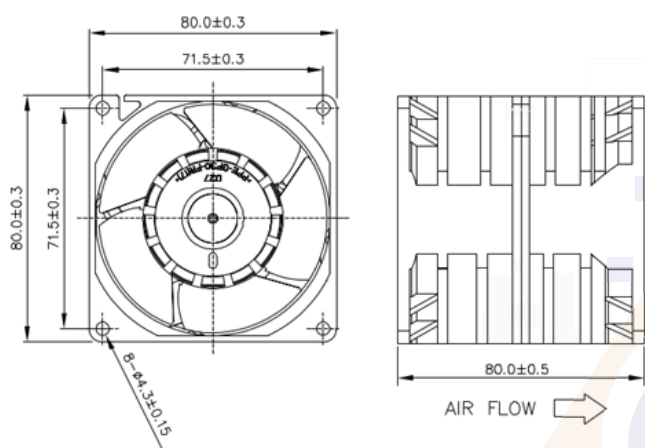
Bearing Type : Two ball bearing.

Protection : Auto-Restart.

Operating Temperature : -10 ~ 70 °C.

Weight : 480 gram (ref.)

Dimension:



P-Q Curve:

