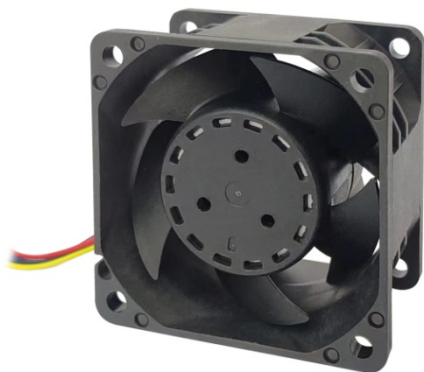




GT JET 6038 Booster Fan



Key Features:

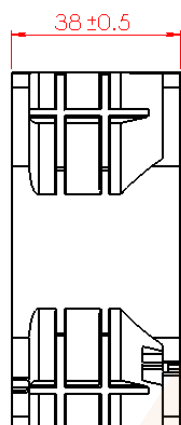
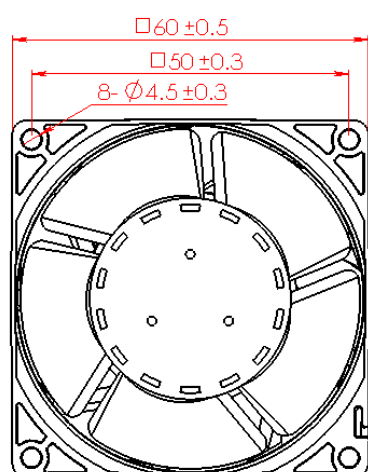
- Integrated Stator Blade Frame: Optimizes airflow direction and corrects vortex patterns, significantly reducing turbulence and energy loss.
- Dual ball bearing construction: Engineered for high-temperature, high-speed, and long-duration reliability.
- The copper tube enhances heat dissipation and shaft stability, improving fan durability and cooling efficiency.
- Supports intelligent speed control (PWM) and fault feedback (option).

Specifications:

Model (TYPE A)	Rated Voltage (VDC)	Rated Current (A)	Power Consumption (Watts)	Speed (rpm)	Air Flow (CFM)	Static Pressure (mmH ₂ O)	Noise (dBA)
GT-A06038B12M	12	0.49	5.88	10,000	43.12	30.91	51.7
GT-A06038B12H	12	1.34	16.08	14,000	64.25	62.03	59.3

1. Material : Plastic PBT (UL : 94V-0) ;
2. Bearing Type : Two ball bearing
3. Protection : Auto-Restart
4. Operating Temperature : -20 ~ 70 °C

Dimension:



UNIT: mm

P-Q Curve:

