

Model: GP-LP075P Series

Features

- Universal AC Input 90~305VAC.
- Constant Current / Constant Voltage Operation.
- Class 2 Power Supply Unit.
- Built-in PFC Function.
- Protections: OVP / OCP / SCP / OTP.
- Fully Insulated Case with IP67 Level.
- Cooling by Free Air Convection.
- Optional Dimming Type : GP-LP075-xx(A)

A : for PWM/DC Dimming

Approvals



Size

163 x 44.2 x 32.5 mm (L x W x H)



Dimming

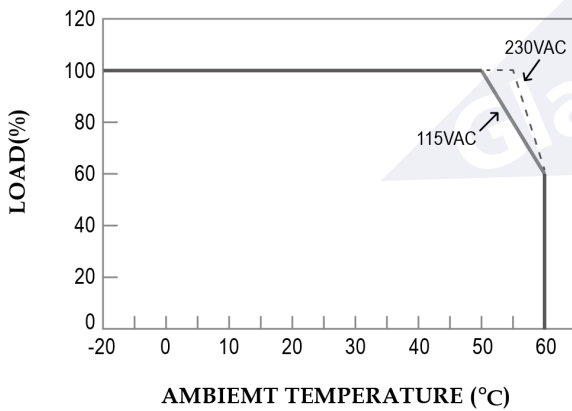
Specifications

A: Dimming

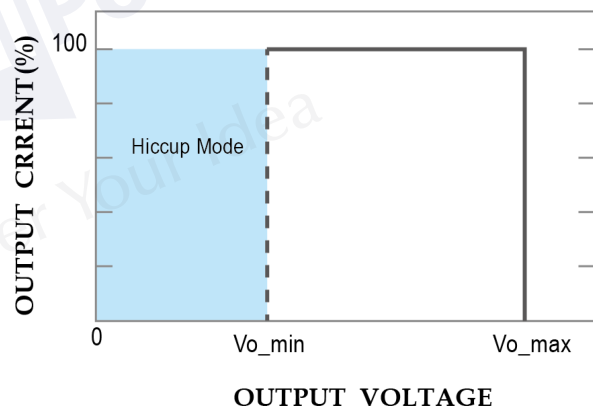
Model No.		GP-LP075P-24(A)	GP-LP075P-28(A)	GP-LP075P-36(A)	GP-LP075P-48(A)
Output	DC Voltage Range	12~24V	20~28V	24~36V	36~48V
	Rated Current	3125mA	2670mA	2080mA	1560mA
	Max. Power	75W	75W	75W	75W
	Ripple & Noise (Max.)	0.5Vp-p	0.5Vp-p	0.5Vp-p	0.5Vp-p
	Dimming Control (Optional)	0-10V/PWM Dimming	0-10V/PWM Dimming	0-10V/PWM Dimming	0-10V/PWM Dimming
	Voltage/Current Tolerance	±5%			
	Efficiency at 230VAC	87%			
	Set up time (Max.)	1 sec. / 230VAC, 2 sec. / 115VAC, at full load.			
Input	Voltage Range	90 ~ 305VAC or 127 ~ 430VDC			
	Frequency Range	47 Hz ~ 63 Hz			
	AC Current (Max.)	1A at 115VAC / 0.5A at 230VAC			
	Power Factor	>0.95 at 115VAC / >0.9 at 230VAC with full load.			
	Inrush Current (Max.)	60A at 230VAC			
	Leakage Current	<0.5mA / 240VAC			
Protections	Over Current	110% rated current. Type: Current limit and recovers after fault condition disappeared.			
	Short Circuit	Type: Constant current limit and recovers after fault condition disappeared.			
	Over Voltage	110%-150% rated output voltage. Type: Latch OFF Mode.			
	Over Temperature	Type: Latch OFF Mode.			

Environment	Operation Temp.	-20°C ~50°C ambient operating at full load (Refer to output load derating curve)
	Operation Humidity	20% ~ 90% RH non-condensing.
	Storage Temp.	-40 ~ +80°C
	Storage Humidity	10% ~ 90% RH
	Vibration	10~500 Hz, 2G 10 min./1 cycle, period for 60 min. each along X, Y, Z axes.
Safety & EMC	Safety Standards	EN61347-1,EN61347-2-13 ,IP67/UL8750/UL60950 Approved.
	Withstand Voltage	I/P - O/P: 3.75K VAC
	Isolation Resistance	I/P-O/P:100M ohms / 500VDC at 25°C
	EMI Conduction & Radiation	EN55015
	Harmonic Current	EN61000-3-2 Class C,EN61000-3-3
	EMS Immunity	EN61000-4-2,3,4,5,6,8,11 Light industry level, criteria A
Others	MTBF	200K hours min. MIL-HDBK-217F(25°C)
	Dimension(L x W x H)	163 x 44.2 x 32.5mm; 372g/pcs
Note	1. All specifications not specially mentioned are measured at 115VAC and 25°C ambient temperature. 2. Ripple & Noise are measured at 20MHz bandwidth with 0.1uf ceramic & 47uf electrolytic capacitors in parallel. 3. Voltage Tolerance: includes line regulation, load regulation and set-up tolerance.	

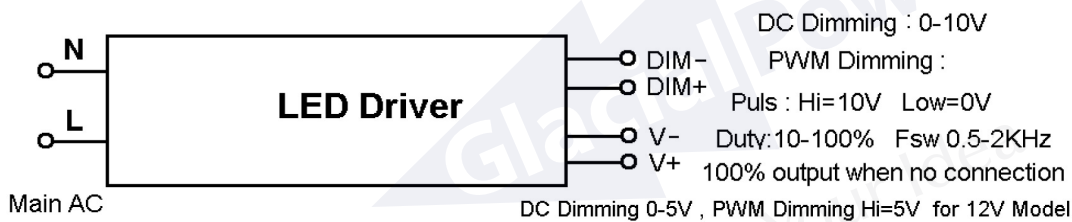
▪ **Derating Curve**



▪ **Constant Voltage / Constant Current Curve**



▪ **Block Diagram (Dimming function by optional)**



■ **Mechanical Specification**

