

## Model: LCxxxx-0A Series (9 Watts Adaptor)

### ▪ Features

- Universal AC Input 90~264VAC.
- Constant Current Operation.
- For High Brightness Light-Emitting Diode Products.
- Fully Isolated Wall Mounted Adaptor.
- Operation from -10°C ~40°C at Full Load.
- Protections:OLP/ SCP.
- Class II Power Design Without Earth Pin.
- Tc Point Measured ,Max Case Temperature:70°C.

### ▪ Approvals



### ▪ Size

US Plug: 67 x 37 x 27 mm (L x W x H)

Euro Plug: 68 x 37 x 28.4 mm (L x W x H)



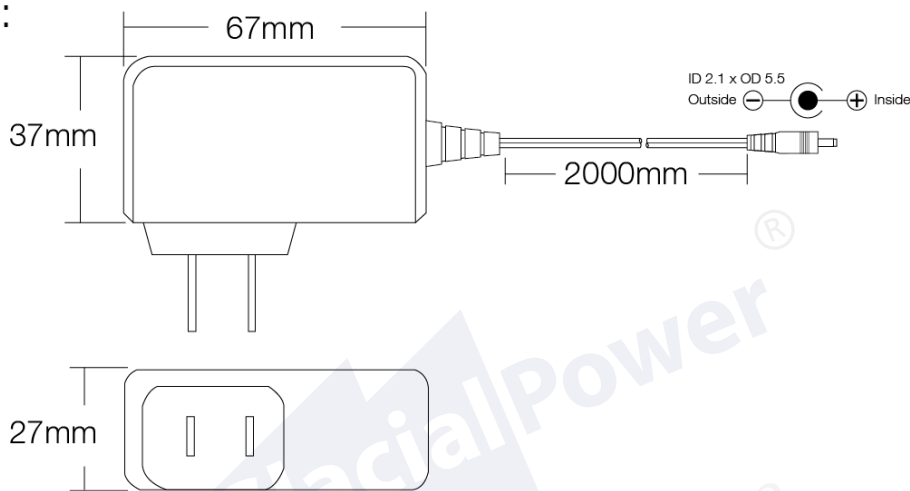
### ▪ Specifications

Model No.		GP-LC3536-0A	GP-LC7021-0A
Output	LED Operation Voltage Note.2	3~36VDC	3~21VDC
	Rated Current Range Note.4	350mA ± 6%	700mA ± 6%
	Rated Max. Power	8W	9W
	Efficiency (Typ.) 230V AC	75%	75%
	DC Plug size	2.1*5.5*11mm	
	Rise Time	<250ms at full load	
Input	Voltage Range	90 VAC ~ 264 VAC	
	Frequency Range	47 Hz ~ 63 Hz	
	AC Current	0.3A at 115VAC / 0.2A at 230VAC	
	Inrush Current	<40A at 230V	
	Leakage Current	<0.25mA / 240VAC	
Protections	Over Load	140~160% rated output power at 230V; 110~140% rated output power at 115V Recovers automatically after fault condition has been removed.	
	Short Circuit	Type: Hiccup mode, Recovers automatically after fault condition is removed.	
Environment	Operation Temp.	-10°C ~40°C full load.	
	Operation Humidity	20% ~ 95% RH non-condensing.	
	Storage Temp.	-20 ~ +80°C	
	Storage Humidity	10% ~ 95% RH	
	Vibration	10 ~ 500 Hz, 2G 10 min. / 1 cycle, period for 60 min. each along X, Y, Z axes.	
Safety & EMC	Safety Standards	EN61347-1, EN61347-2-13	
	Withstand Voltage	I/P - O/P: 3K VAC	
	Isolation Resistance	>500M ohms / 500VDC at 25°C.	
	EMI Conduction & Radiation	EN55015	
	Harmonic Current	Compliance to EN61000-3-2 Class C, EN61000-3-3	
	EMS Immunity	EN61547, EN61000-4-2, 3, 4, 5, 6, 8, 11	

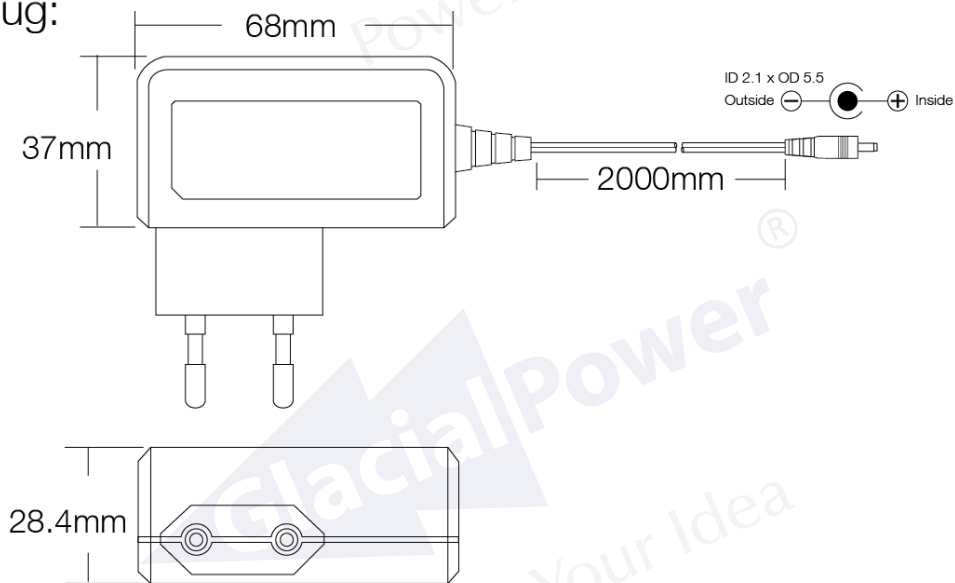
Others	MTBF	200K hours min.MIL-HDBK-217F(25°C)
	Dimension(L x W x H)	US Plug: 67 x 37 x 27 mm (L x W x H); 115g/pcs Euro Plug: 68 x 37 x 28.4 mm (L x W x H); 117.6g/pcs
Note	<ol style="list-style-type: none"> <li>All parameters NOT specially mentioned are measured at 230V AC input, rated load and 25°C ambient temperature.</li> <li>Constant current operation region is within the specified output voltage range above. This is the suitable operation region for LED related applications.</li> <li>The power supply is considered a component which will be installed a final equipment. The final equipment must be re-confirmed that it still meets EMC directives.</li> <li>At 230V rated Max power.</li> </ol>	

▪ **Mechanical Specification**

US Plug:

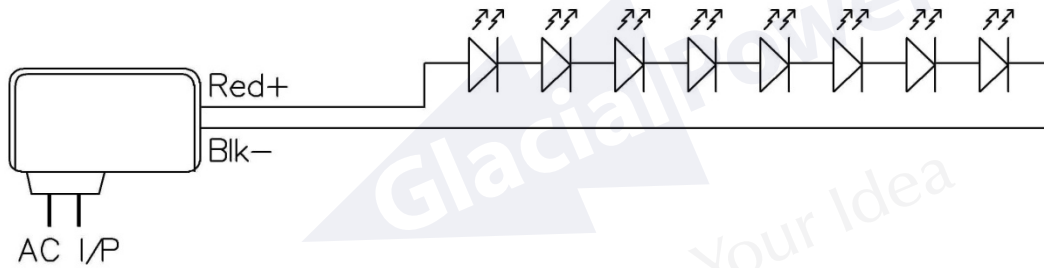


Euro Plug:

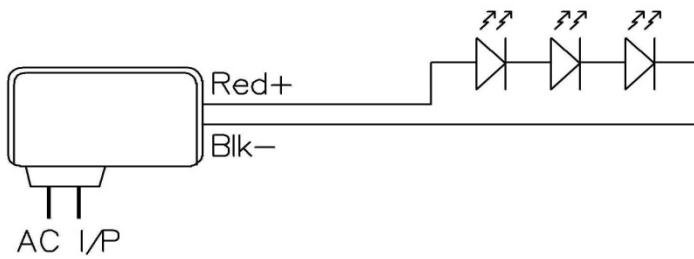


▪ **Configuration arrays when using Hi power LEDs**

GP-LC3536-0A driver at 350mA/LED : from 1 to 8 LEDs in series



GP- LC7021-0A driver at 700mA/LED : from 1 to 3 LEDs in series



▪ **Photo**

US Plug

Euro Plug

