

Model: GP-CVP060P-xxV-T02 Series

■ Features

- Universal AC Input Range 90 ~ 264VAC.
- Constant Voltage mode.
- Active PFC design.
- Protections: OVP / OCP / SCP / OTP.
- High Efficiency up to 86.5 %
- Fully Insulated Plastic Case.
- Meet application for ErP (EU) 2019/2020
- No-load power consumption < 0.5W at 230VAC
- Set up time < 0.5S at 230VAC.
- Suitable for LED strips and Moving Sign applications.
- Withstand 300VAC Surge Input for 5 Seconds.

■ Approvals



■ Size

175.7 x 45.9 x 30mm (L x W x H)

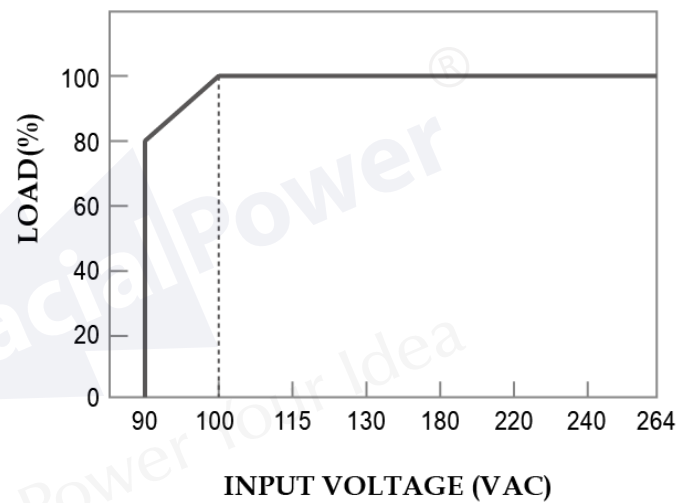
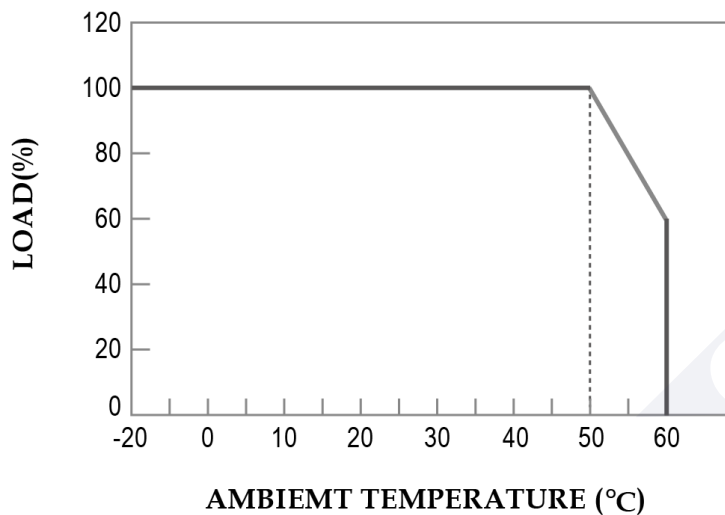


■ Specifications

Model No.		GP-CVP060P-12V-T02	GP-CVP060P-24V-T02	GP-CVP060P-36V-T02	GP-CVP060P-48V-T02
Output	DC Voltage	12V	24V	36V	48V
	Rated Current	0~5A	0~2.5A	0~1.66A	0~1.25A
	Rated Power	60W	60W	60W	60W
	Ripple & Noise (Max.) Note.2	200mV	200mV	200mV	200mV
	Efficiency at 230VAC (Typ.)	86.5%	86.5%	86.5%	86.5%
	Voltage Tolerance Note.3	± 5%	± 5%	± 5%	± 5%
	Set up time (Max.)	≤ 0.5S at 230VAC, full load.			
Input	Rated Voltage	100 ~ 240VAC 141 ~ 340VDC			
	Voltage Range	90 ~ 264VAC			
	Frequency Range	47 Hz ~ 63 Hz			
	AC Current (Max.)	0.65A at 115VAC / 0.35A at 230VAC			
	Power Factor	>0.98 at 115VAC / >0.95 at 230VAC, full load.			
	Total Harmonic Distortion	THD < 15% at 230VAC, full load			
	Inrush Current (Typ.)	Cold Start 45A (Td=330us measured at 50% Ipeak) at 230VAC			
	Max. Number of PSUs on Circuit Breaker	B type : 5units (10A) / 8 units (16A) / 13 units (25A), C type : 8 units (10A) / 14 units (16A) / 22 units (25A), D type : 28 units (16A) / 44 units (25A) at 230VAC			
	Leakage Current	<1mA at 240VAC			
	No-load power consumption	< 0.5W at 230VAC (0.37W Typ.)			

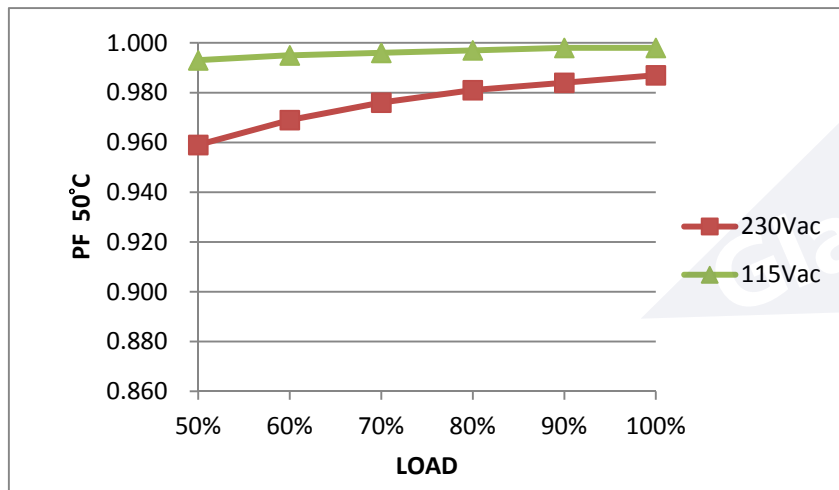
Protections	Over Current	5.5A~7.5A	2.75A~3.75A	1.826~2.49A	1.375A~1.875A
	Type: Hiccup mode (Auto recover after fault condition disappeared).				
	Short Circuit	Type: Hiccup mode (Auto recover after fault condition disappeared).			
	Over Voltage	13.2V~18V	26.4V~36V	39.6V~54V	52.8V~72V
	Type: Hiccup mode (Auto recover after fault condition disappeared).				
Over Temperature	Tcase: 95°C ± 10°C				
	Type: Shut down output, recovers automatically after temperature goes down.				
Environment	Operation Temp.	-20°C ~50°C (Refer to output load derating curve).			
	Operation Humidity	20% ~ 90% RH non-condensing.			
	Storage Temp.	-40 ~ +80°C			
	Storage Humidity	10% ~ 90% RH			
	Vibration	10~500 Hz, 2G 10 min./1 cycle, period for 60 min. each along X, Y, Z axes.			
Safety& EMC	Safety Standards	EN61347-1, EN61347-2-13, independent.			
	Withstand Voltage	I/P-O/P: 3.75KVAC			
	Isolation Resistance	I/P-O/P :100M ohms / 500V DC at 25°C			
	EMI Conduction & Radiation	Compliance to EN55015			
	Harmonic Current	Compliance to EN61000-3-2 Class C(100% load), EN61000-3-3			
	EMS Immunity	Compliance to EN61000-4-2,3,4,5,6,8,11; EN61547, criteria B			
Others	MTBF	100K hours min. MIL-HDBK-217F(25°C)			
	Dimension(L x W x H)	175.7 x 45.9 x 30mm; 345g/pcs			
Note	<p>1. All specifications not specially mentioned are measured at 230VAC full load and 25°C ambient temperature.</p> <p>2. Ripple & Noise are measured at 20MHz bandwidth by using a 12" twisted pair-wire terminated with 0.1uf & 47uf parallel capacitor.</p> <p>3. Voltage Tolerance: includes line regulation, load regulation and set-up tolerance.</p> <p>4. The power supply is considered a component which will be installed a final equipment. The final equipment must be re-confirmed that it still meets EMC directives.</p>				

■ **Derating Curve**



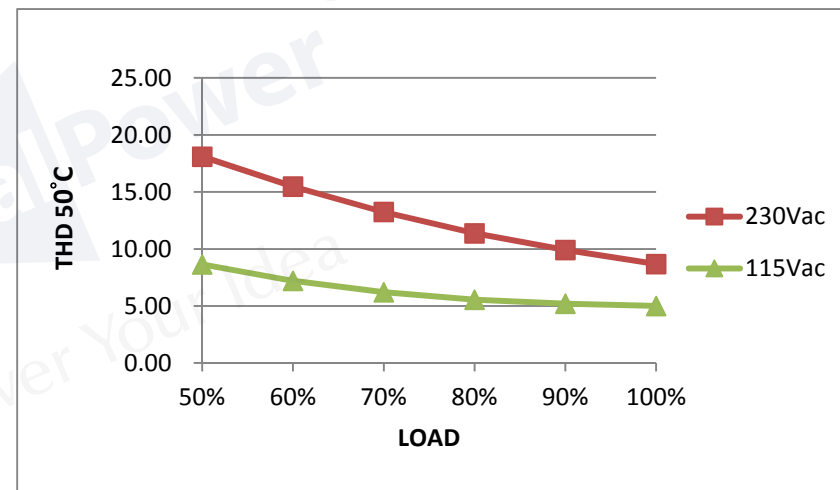
■ **Power Factor (PF) Characteristic** (※Ta at 50°C)

GP-CVP060P-24V-T02 Model



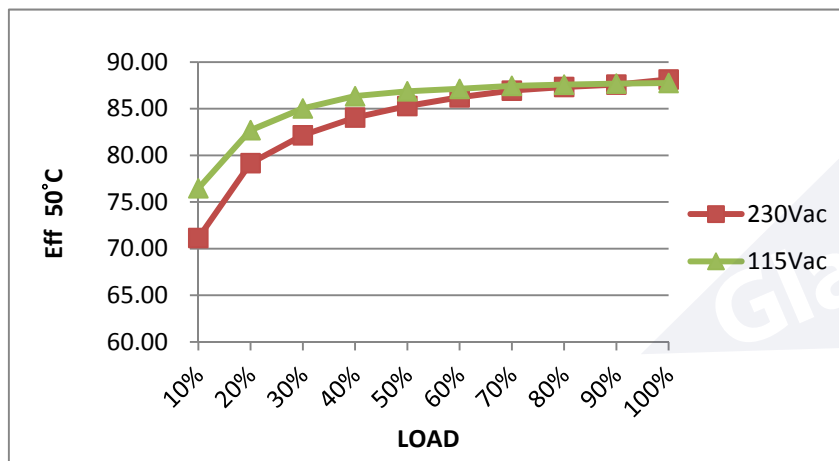
■ **Total Harmonic Distortion (THD)** (※Ta at 50°C)

GP-CVP060P-24V-T02 Model

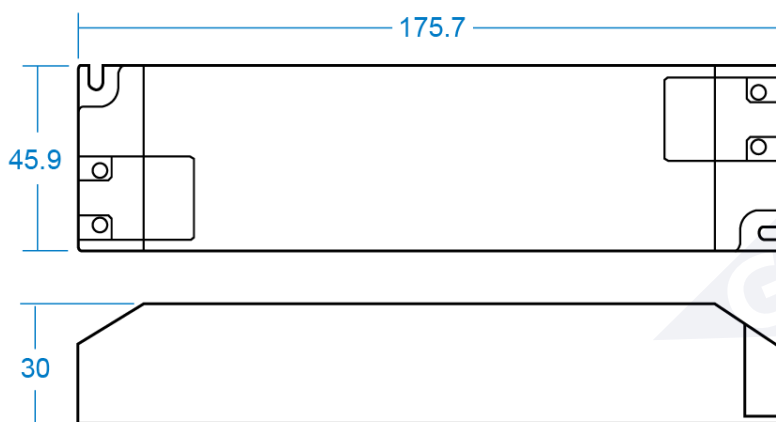


■ **Efficiency vs Load** (※Ta at 50°C)

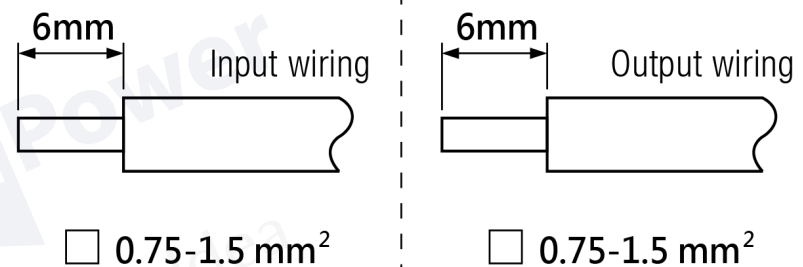
GP-CVP060P-24V-T02 Model



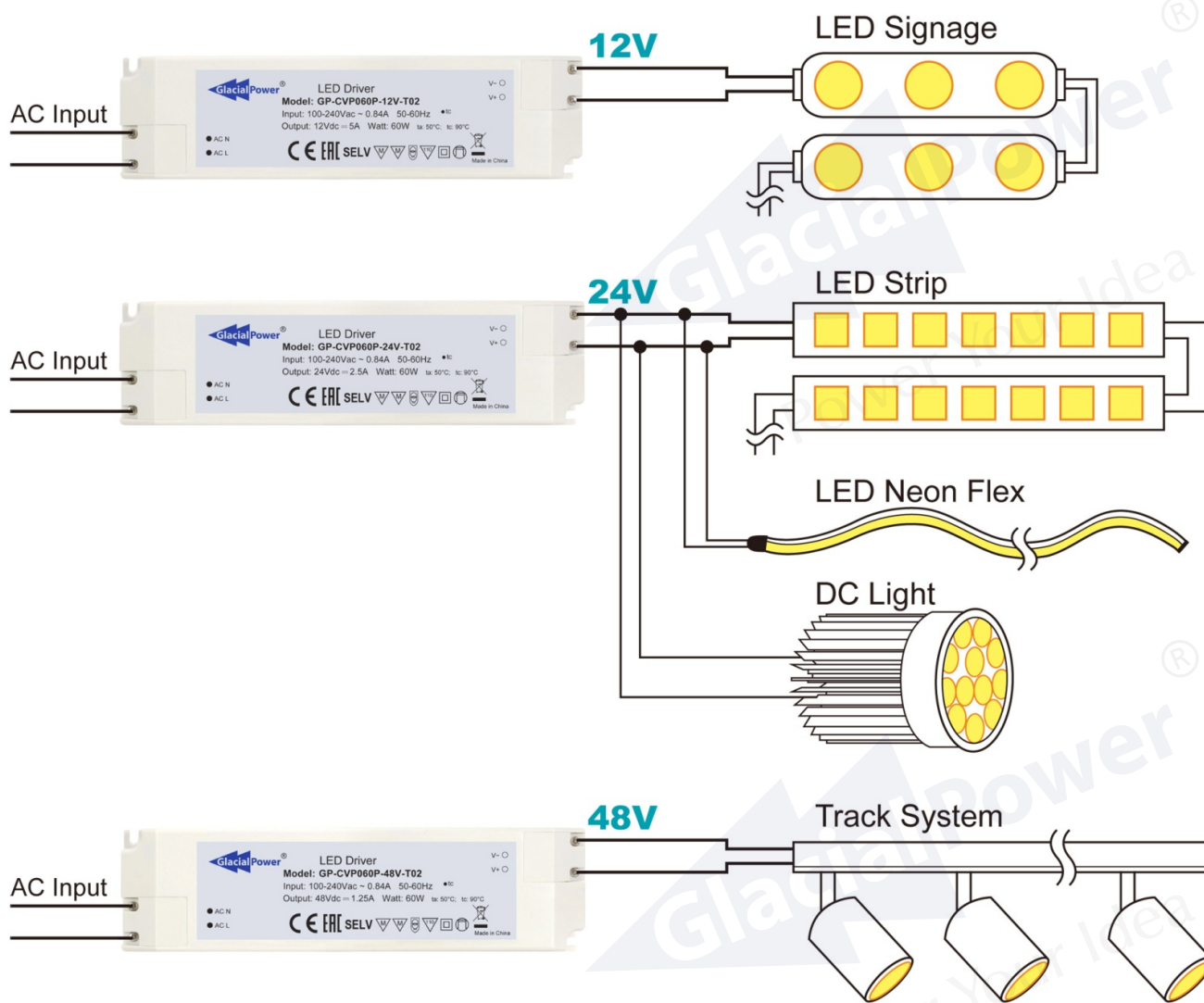
■ **Mechanical Specification**



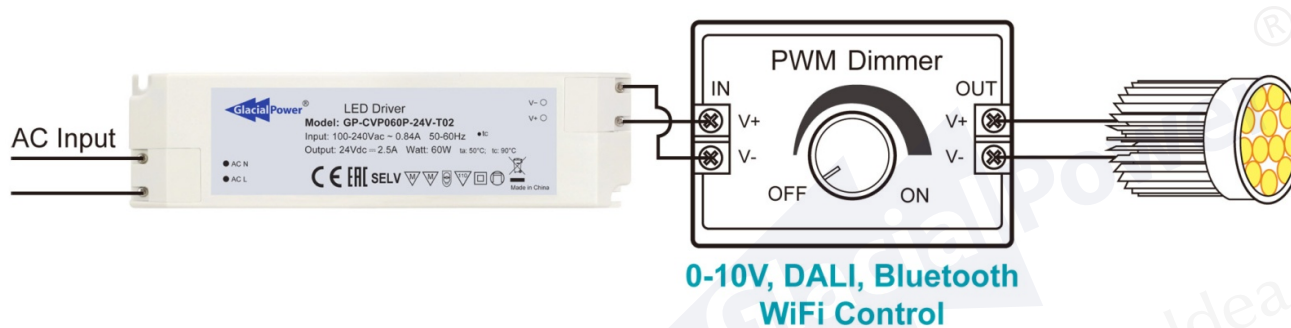
■ **Wire Range for Terminal Block**



■ Application 1:



■ Application 2:



■ **Application 3:**



12V(24V) LED Signage



24V GL MR16, LED Strip & LED Neon Flex



48V Track System

GlacialPower®
Power Your Idea