

Model: GP-CVP024P-xxV-T02 Series

■ Features

- Universal AC Input Range 90 ~ 264VAC.
- Constant Voltage mode.
- Protections: OCP / SCP.
- High Efficiency up to 88 %.
- Fully Insulated Plastic Case.
- No-load power consumption < 0.5W at 230VAC.
- Set up time < 0.5S at 230VAC.
- Suitable for LED strips and Moving Sign applications.
- Compact size suitable for installation in light box.
- Optional Junction Box supporting up to 2.5mm² cables with a loop-through function.

■ Approvals



■ Size

107 x 26.5 x 23.4mm (L x W x H)

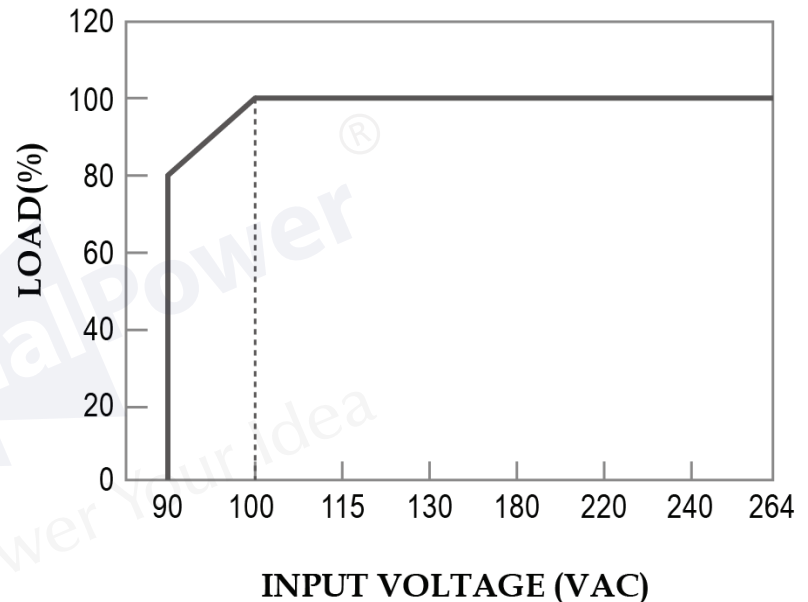
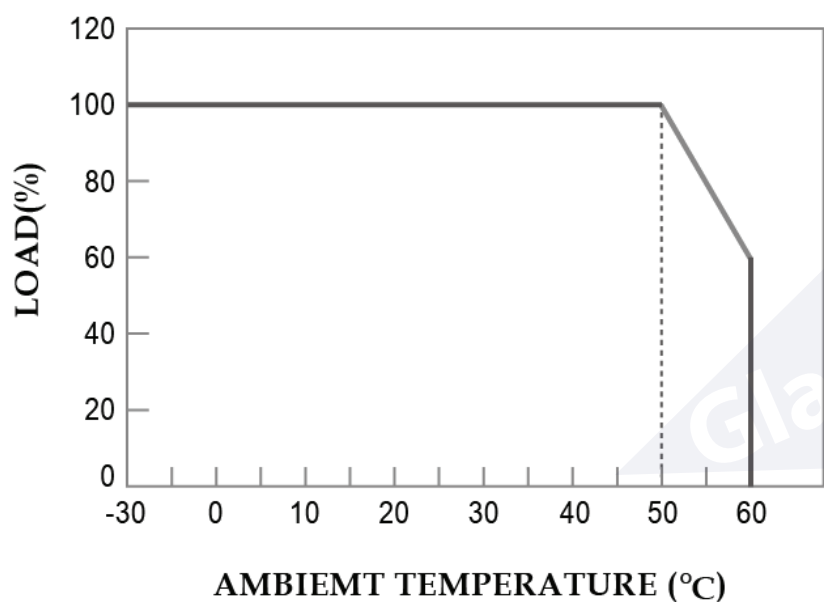


■ Specifications

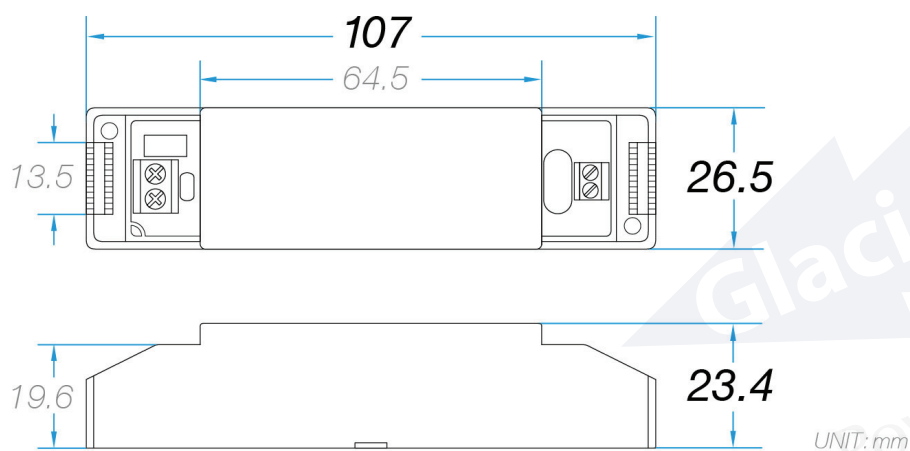
Model No.		GP-CVP024P-12V-T02	GP-CVP024P-24V-T02	GP-CVP024P-48V-T02
Output	DC Voltage	12V	24V	48V
	Rated Current	0~2A	0~1A	0~0.5A
	Rated Power	24W	24W	24W
	Ripple & Noise (Max.) <small>Note.2</small>	120mV at 230VAC	240mV at 230VAC	480mV at 230VAC
	Efficiency at 230VAC (Typ.)	88%	88%	88%
	Voltage Tolerance <small>Note.3</small>	± 5%	± 5%	± 5%
	Set up time (Max.)	≤ 0.5S at 230VAC, full load.		
Input	Rated Voltage	100 ~ 240VAC 141~340VDC		
	Voltage Range	90 ~ 264VAC		
	Frequency Range	47 Hz ~ 63 Hz		
	AC Current (Typ.)	0.3A at 115VAC / 0.15A at 230VAC		
	Power Factor	>0.86 at 115VAC / >0.85 at 230VAC, full load.		
	Inrush Current (Typ.)	Cold Start 15A (Td=190us measured at 50% Ipeak) at 230VAC		
	Max. Number of PSUs on Circuit Breaker	B type : 20 units (10A) / 32 units (16A) / 50units (25A), C type : 23 units (10A) / 37 units (16A) / 58 units (25A), D type : 42 units (16A) / 66 units (25A) at 230VAC		
	Leakage Current	<1mA at 230VAC		
	No-load power consumption	< 0.5W at 230VAC (0.2W Typ.)		

Protections	Over Current	2.2A~3.2A	1.1A~1.6A	0.55A~0.8A
	Short Circuit	Type: Constant current limiting (Auto recovery after fault condition disappeared)		
Environment	Operation Temp.	-30°C ~50°C (Refer to output load de-rating curve).		
	Operation Humidity	20% ~ 90% RH non-condensing.		
	Storage Temp.	-40 ~ +85°C		
	Storage Humidity	10% ~ 90% RH		
	Vibration	10~500 Hz, 2G 10 min./1 cycle, period for 60 min. each along X, Y, Z axes.		
Safety& EMC	Safety Standards	EN61347-1, EN61347-2-13		
	Withstand Voltage	I/P-O/P: 3.75KVAC		
	Isolation Resistance	I/P-O/P :100M ohms / 500V DC at 25°C		
	EMI Conduction & Radiation	Compliance to EN55015		
	Harmonic Current	Compliance to EN61000-3-2, EN61000-3-3		
	EMS Immunity	Compliance to EN61000-4-2,3,4,5,6,11, EN61547, criteria B		
Others	MTBF	100K hours min. MIL-HDBK-217F(25°C)		
	Dimension(L x W x H)	107 x 26.5 x 23.4mm; 88g/pcs		
Note	<p>1. All specifications not specially mentioned are measured at 230VAC full load and 25°C ambient temperature.</p> <p>2. Ripple & Noise are measured at 20MHz bandwidth by using a 12" twisted pair-wire terminated with 0.1uf & 47uf parallel capacitor.</p> <p>3. Voltage Tolerance: includes line regulation, load regulation and set-up tolerance.</p> <p>4. The power supply is considered a component which will be installed a final equipment. The final equipment must be re-confirmed that it still meets EMC directives.</p>			

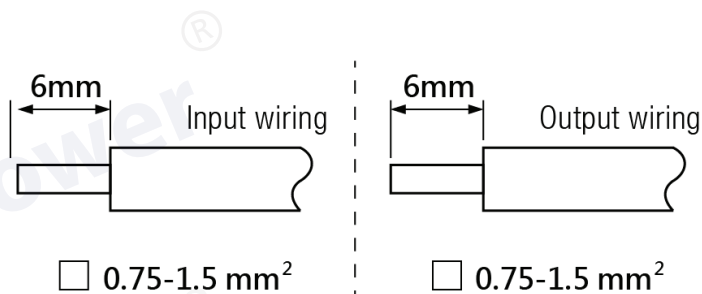
■ **Derating Curve**



■ Mechanical Specification



■ Wire Range for Terminal Block



with junction box (optional)

