



CoB LED Down Light

GL-DLC06-15 Series

GL-DLC06DA-15 Series

Dimming function

Features

- Indoor use
- 6" recessed CoB down light
- Comes in 15W(1600lm-1720lm) versions
- Dimming option available(0-10V/PWM/Resistor)
- 100+Lumen/W lighting performance
- New DC power plug design simplifies installation
- Cold forged heatsink is small yet achieves strong thermal performance
- 3 Color temperatures: 3000K Warm White, 4000K Neutral White, 5000K Cool White



Specifications

GL-DLC06-15 (non-dimmable)

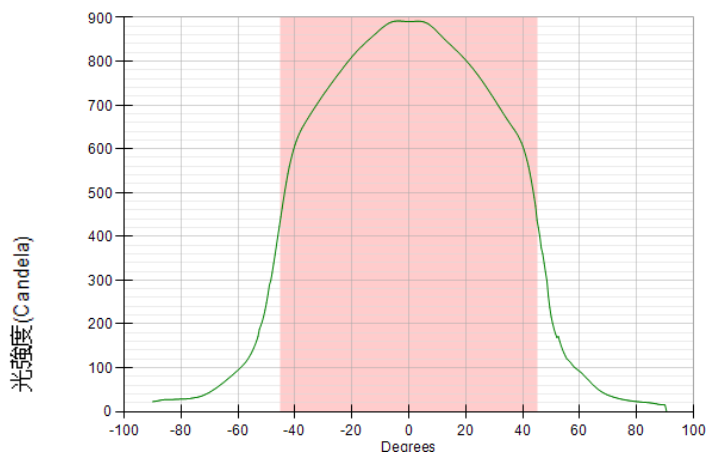
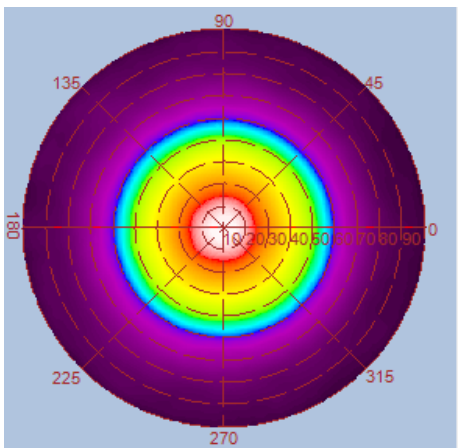
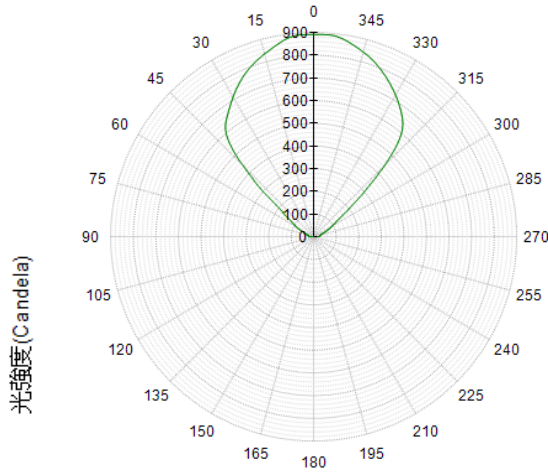
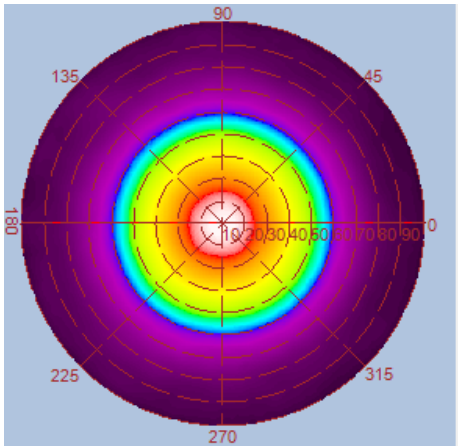
Type	GL-DLC06-15-WW	GL-DLC06-15-NW	GL-DLC06-15-CW
Energy Used	15W		
Rated Life	30,000 Hours		
Input Voltage	100-240V AC (Driver with CUL Certificate Support 277V AC for North America only: non-dimmable)		
Power Factor (PF)	0.88 at 120V AC, 0.8 at 240V AC without dimmer		
CCT (color)	3000K	4000K	5000K
Luminous Flux	1600 lm	1700 lm	1720 lm
System Efficacy	107 lm/W	113 lm/W	115 lm/W
CRI (Minimum)	80	80	80
Beam Angle	90° (Reflector)		
Dimension	Φ 175 x 100mm		
IP Rating	IP40		
Operation Temperature	-20°C ~ +40°C		
Bundled Driver	GP-HS15P-42C		
Net Weight	850 g (with driver)		
Package	8 Boxes / Carton		

GL- DLC06DA-15 (DC dimmable: 0-10V/PWM/Resistor)

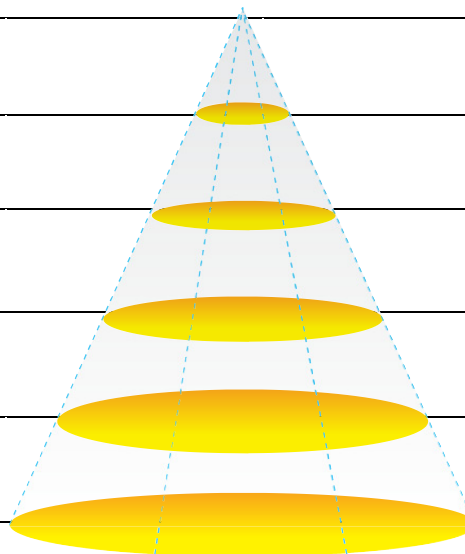
Type	GL-DLC06DA-15-WW	GL-DLC06DA-15-NW	GL-DLC06DA-15-CW
Energy Used	15W		
Rated Life	30,000 Hours		
Input Voltage	100-240V AC (Driver with CUL Certificate Support 277V AC for North America only: non-dimmable)		
Power Factor (PF)	0.88 at 120V AC, 0.8 at 240V AC without dimmer		
CCT (color)	3000K	4000K	5000K
Luminous Flux	1600 lm	1700 lm	1720 lm
System Efficacy	107 lm/W	113 lm/W	115 lm/W
CRI (Minimum)	80	80	80
Beam Angle	90° (Reflector)		
Dimension	Φ 175 x 100mm		
IP Rating	IP40		
Operation Temperature	-20°C ~ +40°C		
Bundled Driver	GP-HS15P-42CA (Dimmable)		
Net Weight	850 g (with driver)		
Package	8 Boxes / Carton		

Luminous Intensity Distribution Diagram

GL-DLC06-15-WW/ CCT : 3000K

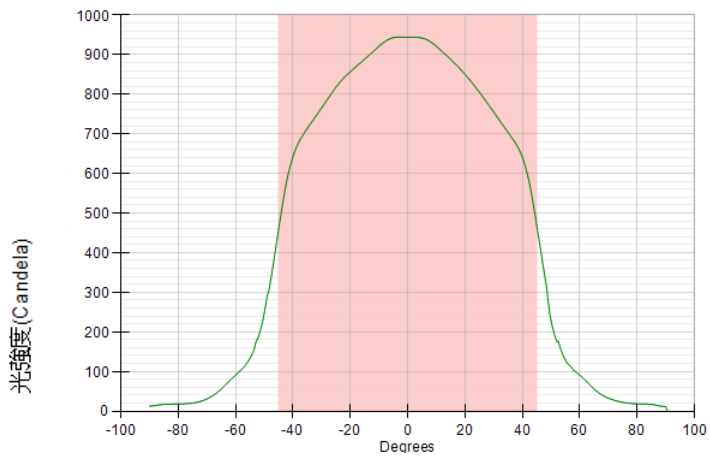
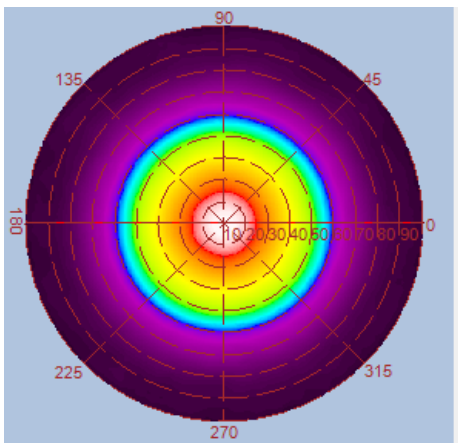
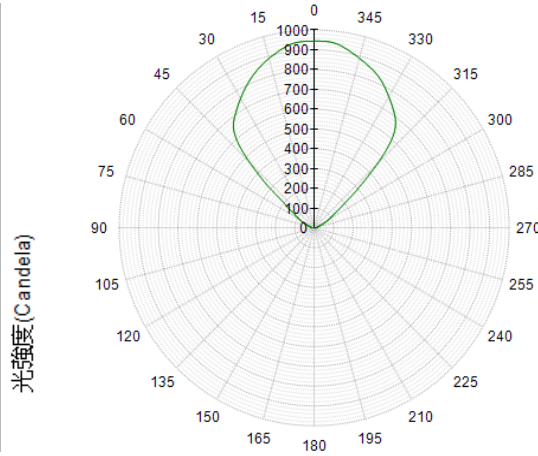
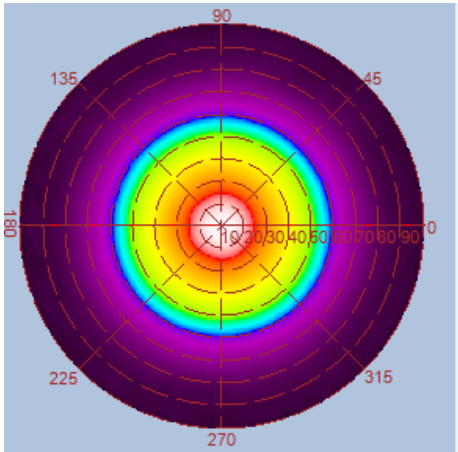


Height	E Avg.	E Max.	Diameter
1.0M	616 Lx	1097 Lx	200 cm
2.0M	144 Lx	247 Lx	400 cm
3.0M	62 Lx	104 Lx	600 cm
4.0M	34 Lx	58 Lx	800 cm
5.0M	22 Lx	36 Lx	1000 cm

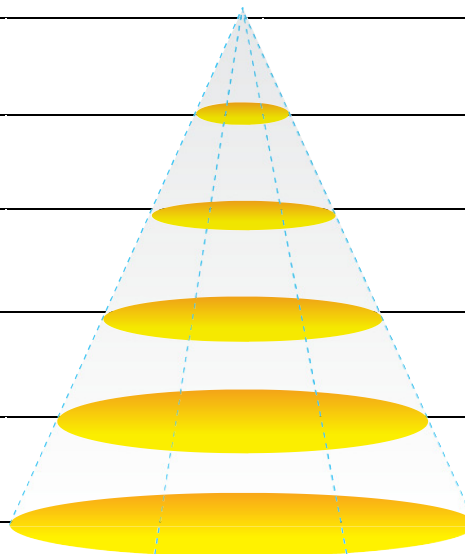


Luminous Intensity Distribution Diagram

GL-DLC06-15-NW/ CCT : 4000K

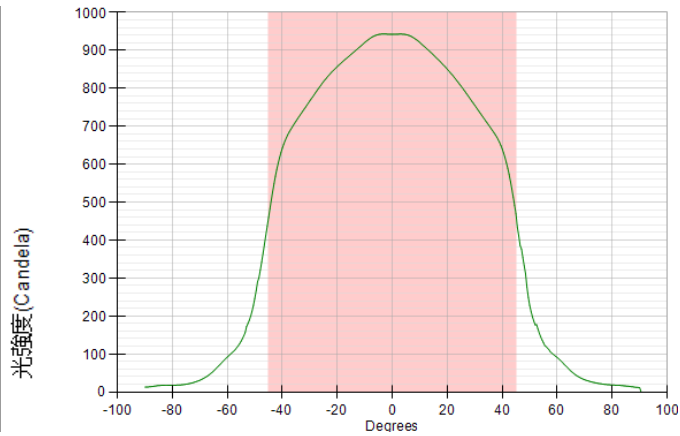
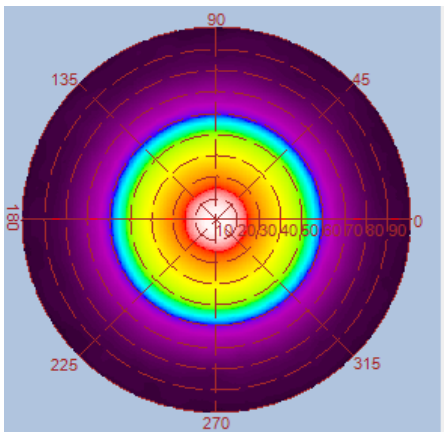
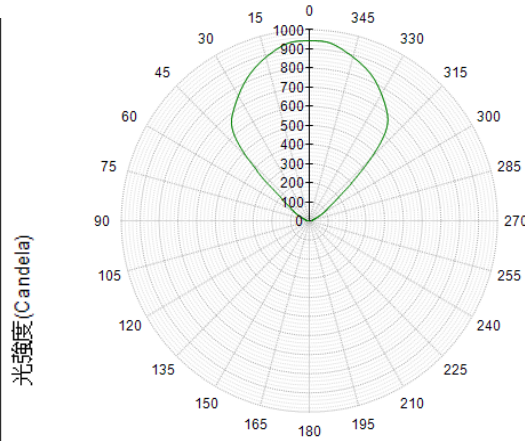
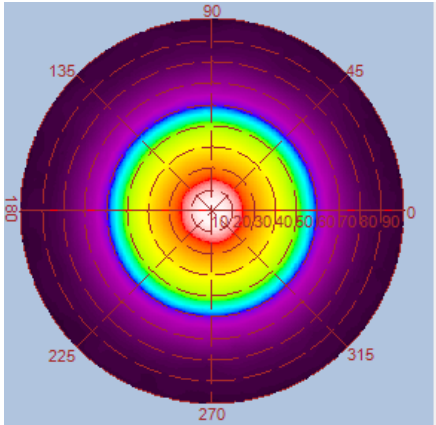


Height	E Avg.	E Max.	Diameter
1.0M	652 Lx	1160 Lx	200 cm
2.0M	152 Lx	261 Lx	400 cm
3.0M	66 Lx	110 Lx	600 cm
4.0M	36 Lx	61 Lx	800 cm
5.0M	23 Lx	39 Lx	1000 cm

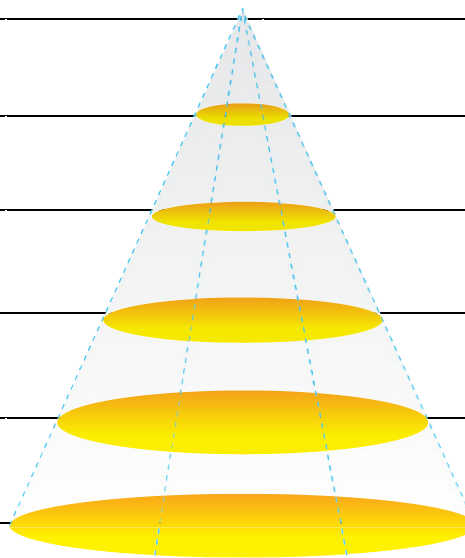


Luminous Intensity Distribution Diagram

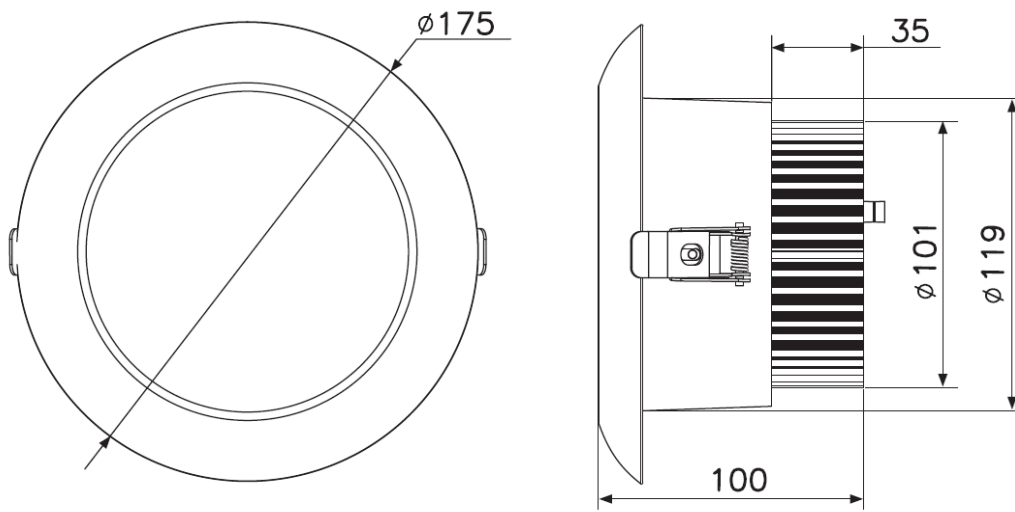
GL-DLC06-15-CW / CCT : 5000K



Height	E Avg.	E Max.	Diameter
1.0M	652 Lx	1164 Lx	200 cm
2.0M	152 Lx	260 Lx	400 cm
3.0M	66 Lx	111 Lx	600 cm
4.0M	36 Lx	61 Lx	800 cm
5.0M	23 Lx	38 Lx	1000 cm



Outline / Dimension



Package

